



Installation and Operation Instructions for Selectronic® Tattletale® Annunciator Model ST8

Please read the following information before installing. A visual inspection of this product for damage during shipping is recommended before mounting. It is your responsibility to have a qualified person install this unit and make sure it conforms to NEC and local codes.

GENERAL INFORMATION

WARNING

BEFORE BEGINNING INSTALLATION OF THIS MURPHY PRODUCT

- ✓ Disconnect all electrical power to the machine.
- ✓ Make sure the machine cannot operate during installation.
- ✓ Follow all safety warnings of the machine manufacturer.
- ✓ Read and follow all installation instructions.

Certain danger to human safety and to equipment may occur if some equipment is stopped without pre-warning. It is recommended that monitored functions be limited to alarm-only or to alarm before shutdown.



Description

The **ST8** is an eight point Tattletale panel designed to give “first out” indication of cause of alarm or shutdown. This “first out” feature means that only the first fault will be shown by LED; this feature isolates the primary cause of shutdown, and helps simplify troubleshooting. The ST8 is available in two different types of mounting: flush mounting (“F”), and gimbal mounting (“G”).

Specifications

All specifications apply to both models unless indicated.

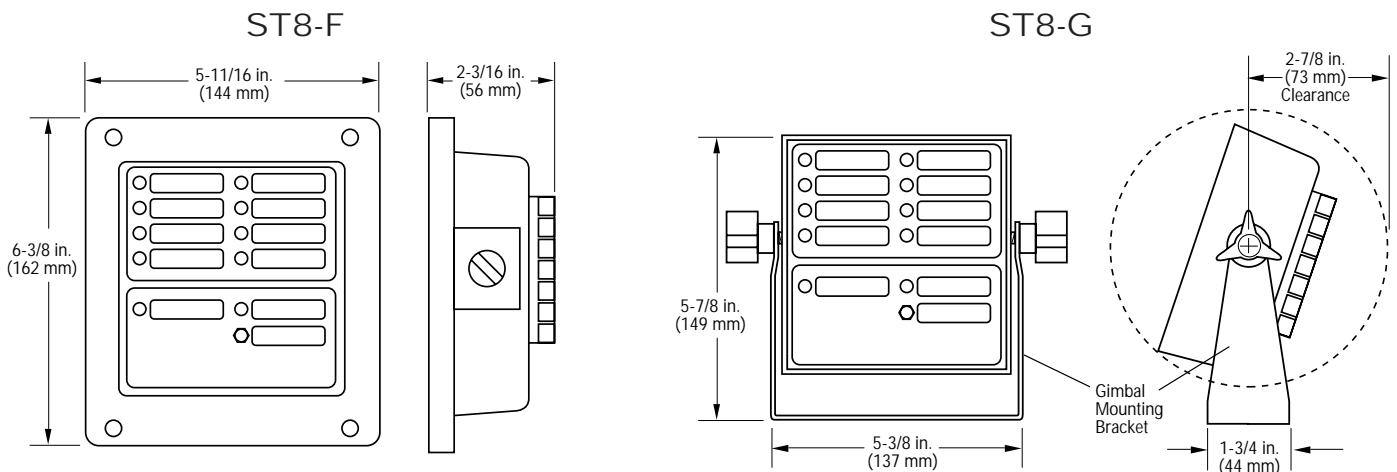
Power Input (Operating Voltage): 8–32 VAC, 8–40 VDC

Sensor Inputs: 8 sensor switches, normally open or normally closed dry contacts.

Number of Alarm Points: ST8: 8 *first out shutdown/alarm.*

Lockout Time Delay During Startup:
25 to 35 seconds (selectable for each sensor input).

DIMENSIONS

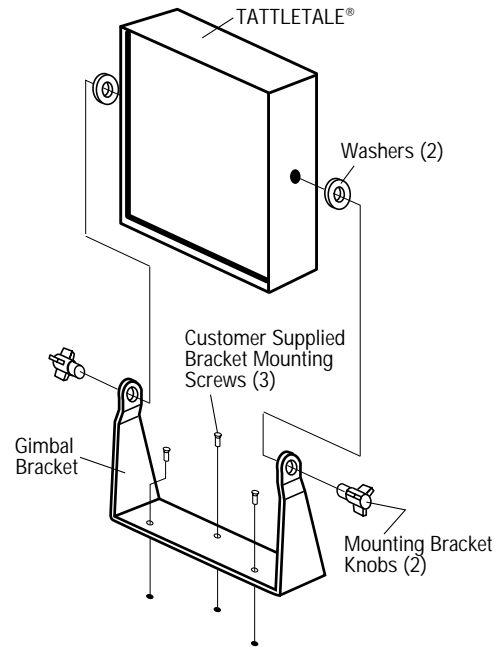
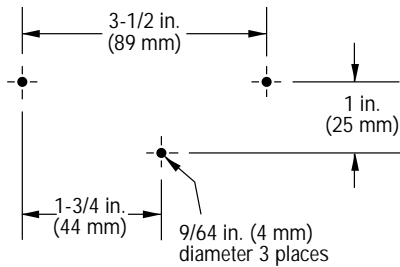


MOUNTING

Gimbal Mount Model (ST8-G)

1. Install the gimbal mounting bracket with three screws (customer supplied) according to the mounting hole dimensions shown below. **NOTE:** Verify the Tattletale rotation clearance (see *Dimensions*, page 1).
2. Attach the Tattletale to the gimbal bracket with the washer and mounting bracket knobs.

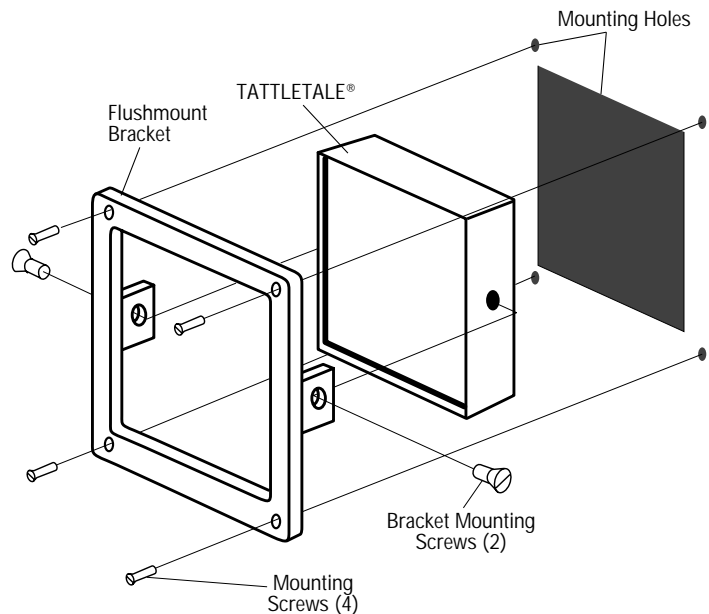
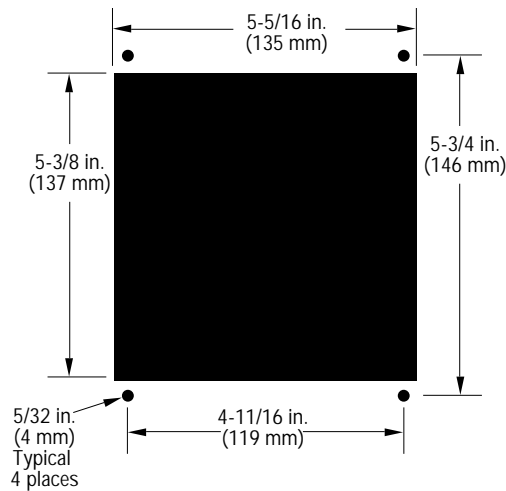
Gimbal Mounting Bracket Hole Dimensions



Panel Mount Model (ST8-F)

1. Cut a hole in the panel according to the mounting hole dimensions shown below.
2. Install the flush mount mounting bracket on the Tattletale.
3. Insert the Tattletale into the hole through the front of the panel.
4. Install the four 6-32 x 5/8 screws supplied.

Panel Mounting Hole Dimensions



APPLYING PREPRINTED LABELS

Preprinted labels are supplied with the Tattletale. These labels are pre-cut, pressure sensitive and when properly applied are permanent. To insure proper label application perform the following steps:

1. Be sure the Tattletale's faceplate is clean and free of oil.

2. Peel one label at a time and position on the faceplate in the box which matches the input sensor position.
3. Before pressing down, be sure label is correctly placed.
4. Press firmly on the label, and leave untouched for several hours.

The Figures below show typical customer switch wiring for the ST8. Switch wiring should be run separately from other wires; **DO NOT route switch wires with AC power wires since voltages, that may be induced into the switch wires, may exceed rating and cause damage to circuits or cause false trips.**

Figure 1 shows the wiring for a normally open (N.O.) Switchgate® connected between terminal B and the negative power input. A metal jumper is connected between A and B. When the Switchgate closes the shutdown/alarm circuit will be initiated.

Figure 2 shows the wiring for a normally closed (N.C.) switch connected to input terminals A and B. The factory installed

metal link must be removed to use this wiring. When the switch opens the shutdown/alarm will be initiated.

Figure 3 shows the wiring for a N.O. Switchgate which is the same as Figure 1 except two wires are run from terminals A and B to the Switchgate. This Closed Loop™ wiring circuit monitors the wires as well as the switch. If the circuit is opened due to a loose connection or broken wire or the Switchgate closes, the shutdown/alarm circuit will be initiated.

Figure 4 shows the ST8 internal SPDT relay in the “run” or operating mode.

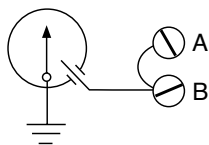


Figure 1: Typical N.O. Sensor Connection

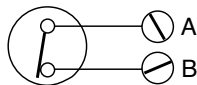


Figure 2: Typical N.C. Sensor Connection

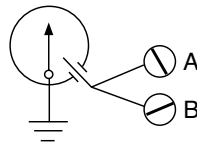


Figure 3: Typical N.O. Closed Loop™ Sensor Connection

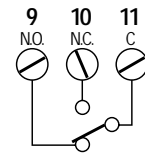
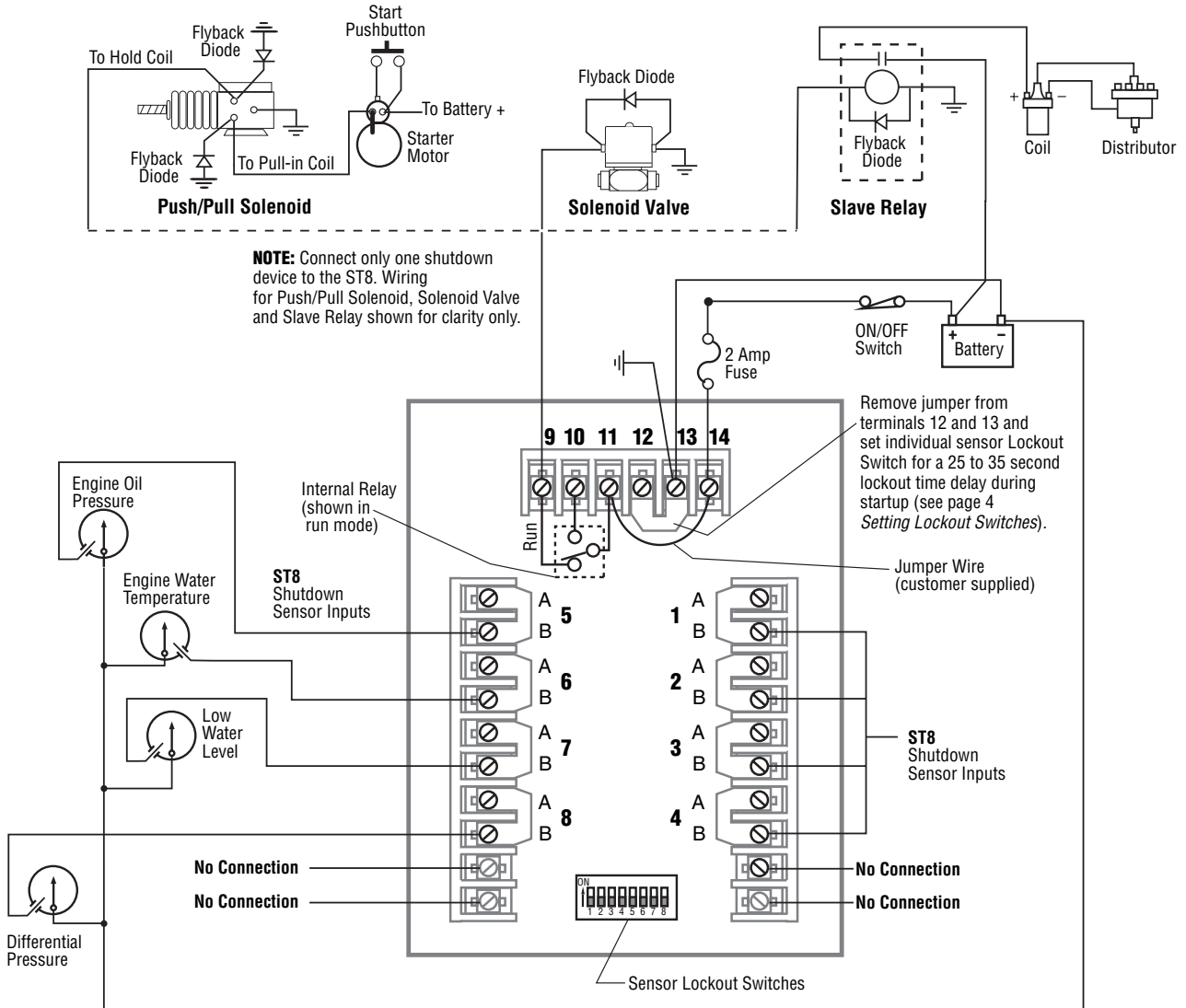


Figure 4: Internal Relay Circuit

Typical Wiring

Below is a typical wiring diagram for the ST8 Tattletale.



ST8

1. Apply power to the ST8 Tattletale (terminals 13 and 14).
2. The "POWER ON" and "RUN" LED light will switch On. The "POWER ON" LED indicates power has been applied to the ST8. The "RUN" LED indicates the internal relay is in the operating mode.
3. The lockout time delay during startup will begin timing. Sensors with lockout time delay selected (see *Setting Lockout Switches* below) will not trip alarm or shutdown circuit until time delay times out (25-35 seconds). If lockout switches are not set there will not be a time delay during startup.
4. The 8 Red shutdown LEDs are for shutdown indication (see **Figure 6**).
5. When a shutdown signal is received from a Swichgage, the shutdown LED will light and internal shutdown relay will switch to activate a shutdown device (see *Typical Wiring* page 3). All other shutdown sensor inputs are locked out.
6. Shutdown LED will remain on even if conditions return to normal. To clear the LED, power must be removed or push button reset is operated.

Setting Lockout Switches

Lockout switches allow you to lockout shutdown/alarm sensors during startup. For instance, on a pressure Swichgage, the lockout time delay allows time for pressure to build up thus lifting the pointer off the low limit contact. If the lockout time delay is not set the Tattletale will initiate the shutdown/alarm sequence.

Each sensor input on the ST8 has a lockout time delay at startup with a length of 25 to 35 seconds.

1. Locate the lockout switches on back of the unit (see **Figure 7**).
2. Determine which sensors you wish to lock out. Switch the corresponding sensor lockout switch "ON". **A SENSOR CAN BE LOCKED-OUT ONLY WHEN ITS LOCKOUT SWITCH IS SWITCHED "ON"**.
3. Remove the jumper between terminals 12 and 13. This will activate the time delay. If this jumper is not removed the lockout time delay will not function.

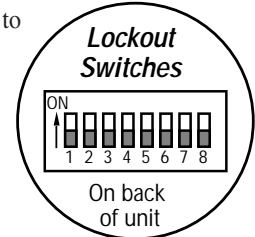


Figure 7

Warranty

A limited warranty on materials and workmanship is given with this FW Murphy product. A copy of the warranty may be viewed or printed by going to www.fwmurphy.com/support/warranty.htm

FW MURPHY
 P.O. Box 470248
 Tulsa, Oklahoma 74147 USA
 +1.918.317.4100 Fax: +1.918.317.4266
 E-mail: sales@fwmurphy.com

INDUSTRIAL PANEL DIVISION
 Fax: 918.317.4124
 E-mail: ipdsales@fwmurphy.com

MURPHY POWER IGNITION
 Web site: www.murphy-pi.com

www.fwmurphy.com

CONTROL SYSTEMS & SERVICES DIVISION
 P.O. Box 1819
 Rosenberg, Texas 77471 USA
 Phone: 281.633.4500 Fax: 281.633.4588
 E-mail: sales@fwmurphy.com
 Web site: www.fwmurphy.com

FRANK W. MURPHY, LTD
 Church Rd Laverstock
 Salisbury SP1 1QZ UK
 Phone: +44.1722.41005 Fax: +44.1722.410088
 E-mail: sales@fwmurphy.co.uk
 Web site: www.fwmurphy.co.uk

COMPUTRONIC CONTROLS, LTD
 41 - 43 Railway Terrace Nechells
 Birmingham B7 5NG UK
 Phone: +44.1213.278500 Fax: +44.1213.278501
 E-mail: info@computroniccontrols.com
 Web site: www.computroniccontrols.com

FW MURPHY INSTRUMENTS (HANGZHOU) CO. LTD
 77 23rd Street
 Hangzhou Economic & Technological Development Area
 Hangzhou, Zhejiang, 310018, China
 Phone: +86.571.8684.8886 Fax: +86.571.8684.8878



Printed in U.S.A.