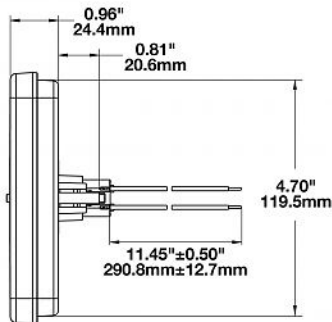
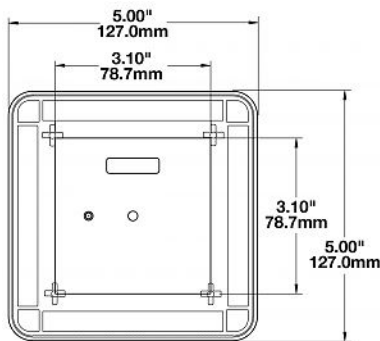




Model 224 LED Stop & Tail Light (3/4 Front View)



Dimensions in inches (mm in parentheses).  
Dimensions are for reference only.

### Product List

Model Number	Description
224-12/24V	12-24V LED Stop & Tail Light

### Features & Benefits

- Available in a 12-24V DC configuration
- Acrylic lens resists scratching & scuffing
- Rugged solid state LEDs can withstand shock & vibration
- Long-lasting LEDs mean never having to replace another bulb again!
- Sturdy ABS housing
- Low profile mount
- [Installation Instructions](#)

### General Specifications

<b>Lens Material :</b>	Acrylic
<b>Housing Material :</b>	ABS
<b>Mounting Hardware:</b>	(x2) M6-1 x 25mm Mounting Bolts
<b>Mounting :</b>	Low Profile Mount
<b>Connector:</b>	Various Options Available
<b>Mating Connector:</b>	4-Pin Deutsch Plug (DT06-4S)

### Technical Specifications

**224-12/24V**  
12-24V DC Input  
0.190 Amps (Stop); 0.030 Amps (Tail) @ 12V DC

**Standards Compliance**

ASABE 279.14  
SAE J585  
SAE J594  
SAE J2261  
ECE Reg. 7

Buy America Compliant  
SAE J586  
SAE J2040  
ECE Reg. 3  
Sealed to IP67

**Applications**

Agricultural  
Forestry  
Military  
On-Highway  
Utility

Construction  
Lawn & Garden  
Mining  
Recreational

Fire & Rescue  
Material Handling  
Off-Highway  
Specialty Trucks

**Additional Info**

Wires:  
Black=Ground, Red=Stop, White=Tail