


# 5 SERIES - STROBES

**METEORLITE®**

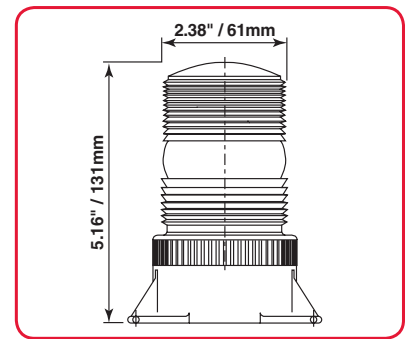
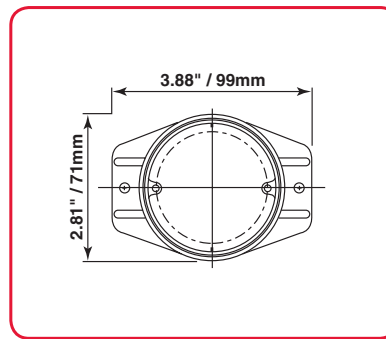
## 5 SERIES

### Specifications:

- Mounting Base: Nylon plastic, epoxy encapsulated, 2-hole & O-ring seal
- Mount: Permanent, magnetic or pipe mount
- Lens: Polycarbonate screw-off
- Flash Tube: Xenon field replaceable
- Joule Rating: 2
- FPM: 75 ± 10 Single
- Voltage: 12-80VDC or 120VAC
- Current Draw: .5AMP max
- Output Power: 2.5 Watt
- Polarity Protected: Diode
- Warranty: 1 Year
- Colors: 

### Certifications:

- Class III
- SAE J1318
- UL approved (DC models only)
- CE approved (DC models only)



### Variations:

PART #	LENS	PART #	LENS	PART #	LENS	PART #	LENS
<b>Permanent Mount, 12-80VDC</b>		<b>Magnetic Mount, 12-80VDC</b>		<b>Line Cord 6', 120VAC</b>		<b>Pipe Mount 1/2", 12-80VDC</b>	
SY361005-A	Amber lens	SY361005M-A	Amber lens	SY361120-ALC	Amber lens,	SY361005P-A	Amber lens
SY361005-B	Blue lens	SY361005M-B	Blue lens	SY361120-BLC	Blue lens	SY361005P-B	Blue lens
SY361005-C	Clear lens	SY361005M-C	Clear lens	SY361120-CLC	Clear lens	SY361005P-C	Clear lens
SY361005-G	Green lens	SY361005M-G	Green lens	SY361120-GLC	Green lens	SY361005P-G	Green lens
SY361005-R	Red lens	SY361005M-R	Red lens	SY361120-RLC	Red lens	SY361005P-R	Red lens

### Replacement Parts & Accessories

PART #	DESCRIPTION	PART #	DESCRIPTION	PART #	DESCRIPTION	PART #	DESCRIPTION
SY361-AMB	Amber lens	SY361-GRN	Green lens	SY361015	Straight tube	SY361012	Lens guard, heavy duty
SY361-BLU	Blue lens	SY361-RED	Red lens	SY361009	Mounting bracket		
SY361-CLR	Clear lens	SY361010	U tube (AC only)	SY361011	Lens guard, chrome	SY361011-GEN	Lens guard, chrome slim design



### APPLICATIONS:



US: 16355 South Lone Elm Road • Olathe, KS 66062 • USA  
Canada: 1039 Cardiff Blvd. • Mississauga, Ontario L5S 1P4 • Canada

P: 913-780-1440 • TOLL FREE 800-447-3693 • F: 913-780-1427  
E: info@superiorsignals.com • www.superiorsignals.com